

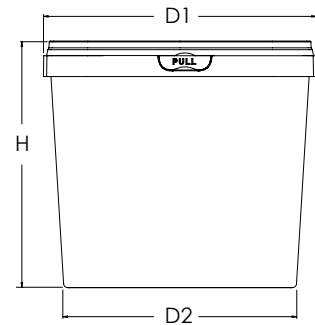


**FR1.2LT**  
**Bucket technical characteristics**

**Dimensions**

D1: 84 mm  
D2: 106 mm  
H: 139 mm without lid

*Deviation ± 1mm*



**Other elements**

Capacity (LT)	Volume to rim 1.130 LT
Net weight / Deviation (±2.5%)	71 gr
Buckets packaging	Europallet 588 pcs
Decoration	IML Label 338,5X137 mm
Packaging	5 Vertically

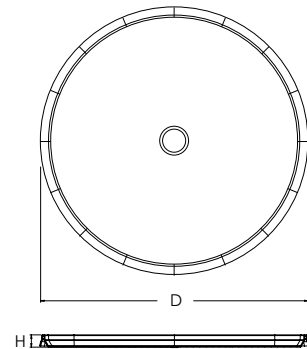
**Lid technical characteristics**

**FRL1.2LT**

**Dimensions**

D: 102 mm  
H: 12.5 mm

*Deviation ± 1mm*



**Other elements**

Lid weight (gr) Deviation (±2.5%)	12 gr
Lid packaging	Carton 1.400 pcs
Decoration	IML Label Ø 84 mm

**USEFUL STORAGE INFORMATION:** To preserve the quality of this product, it is recommended that it be stored in its original packaging, away from any source of local heat and moisture, away from direct sunlight (below 30°C) and dry conditions. It is recommended that the product be allowed to reach operating temperature 24 hours before use.

RAW MATERIAL: Polypropylene (PP)



ISO 22000/ISO 9001/FSSC 22000

